

6

5

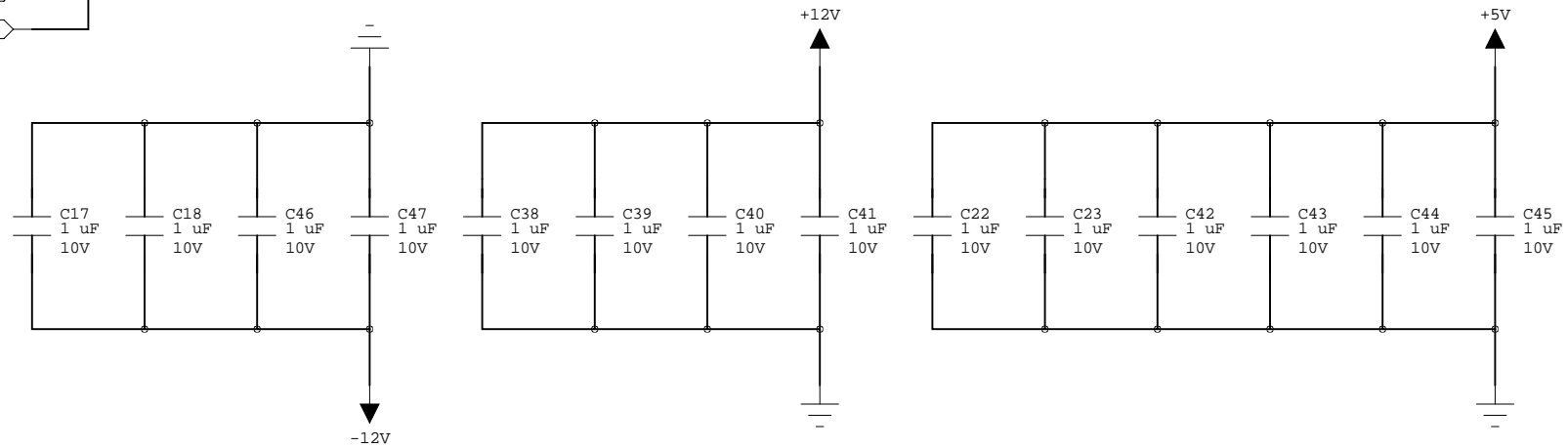
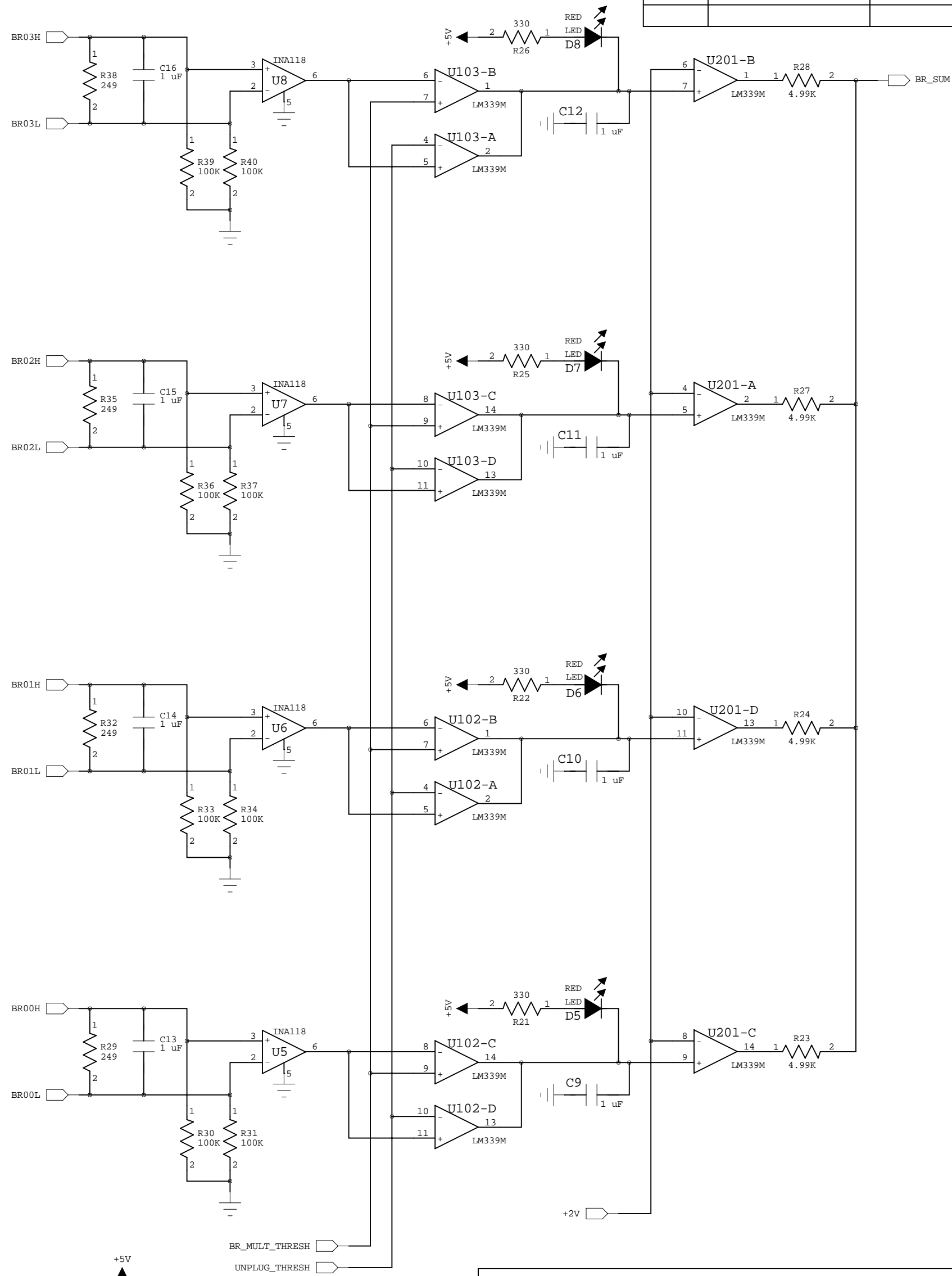
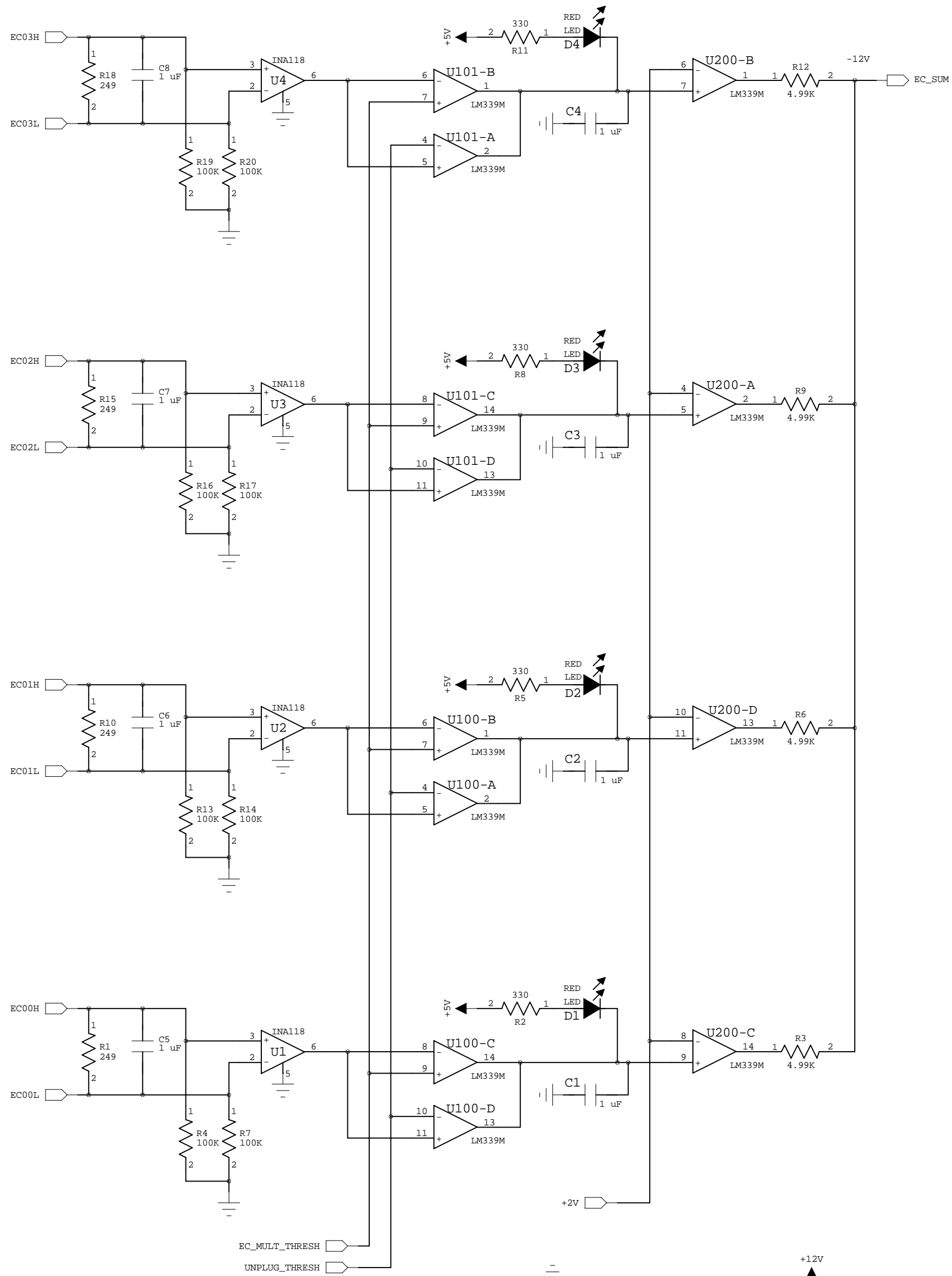
4

3

2

1

| REVISION RECORD |         |           |       |
|-----------------|---------|-----------|-------|
| LTR             | ECO NO: | APPROVED: | DATE: |
|                 |         |           |       |
|                 |         |           |       |
|                 |         |           |       |



COMPANY: Indiana University Physics

TITLE: ATLAS TRT Alarm Logic Board

|                             |                          |
|-----------------------------|--------------------------|
| DRAWN:<br>Paul Smith        | DATED:<br>Jan 2007       |
| CHECKED:<br><Checked By>    | DATED:<br><Checked Date> |
| QUALITY CONTROL:<br><QC By> | DATED:<br><QC Date>      |
| RELEASED:<br><Released By>  | DATED:<br><Release Date> |

|                |       |                  |            |
|----------------|-------|------------------|------------|
| CODE:          | SIZE: | DRAWING NO:      | REV:       |
| <Code>         | C     | <Drawing Number> | <Revision> |
| SCALE: <Scale> |       | SHEET: 1 OF 2    |            |

6

5

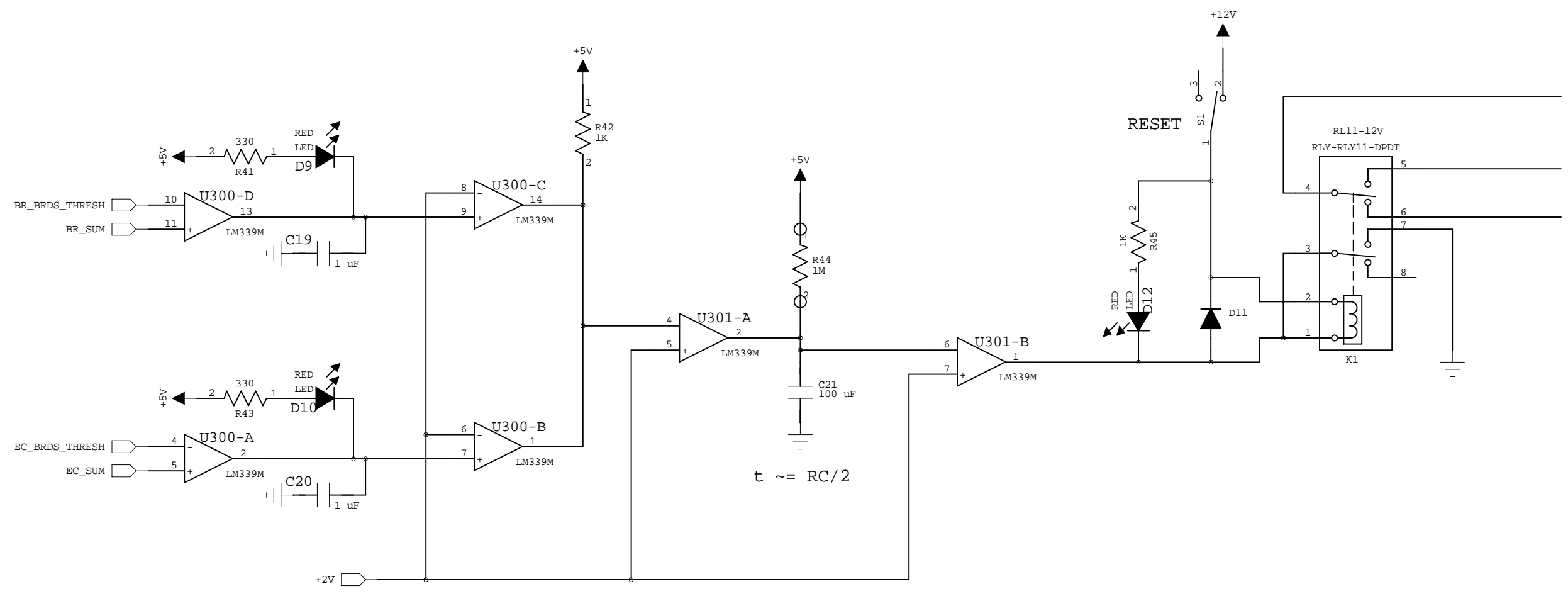
4

3

2

1

| REVISION RECORD |         |           |       |
|-----------------|---------|-----------|-------|
| LTR             | ECO NO: | APPROVED: | DATE: |
|                 |         |           |       |
|                 |         |           |       |
|                 |         |           |       |



COMPANY: Indiana University Physics

TITLE: ATLAS TRT Alarm Logic Board

|                             |                          |
|-----------------------------|--------------------------|
| DRAWN:<br>Paul Smith        | DATED:<br>Jan 2007       |
| CHECKED:<br><Checked By>    | DATED:<br><Checked Date> |
| QUALITY CONTROL:<br><QC By> | DATED:<br><QC Date>      |
| RELEASED:<br><Released By>  | DATED:<br><Release Date> |

|                |       |                  |               |
|----------------|-------|------------------|---------------|
| CODE:          | SIZE: | DRAWING NO:      | REV:          |
| <Code>         | C     | <Drawing Number> | <Revision>    |
| SCALE: <Scale> |       |                  | SHEET: 2 OF 2 |