

6

5

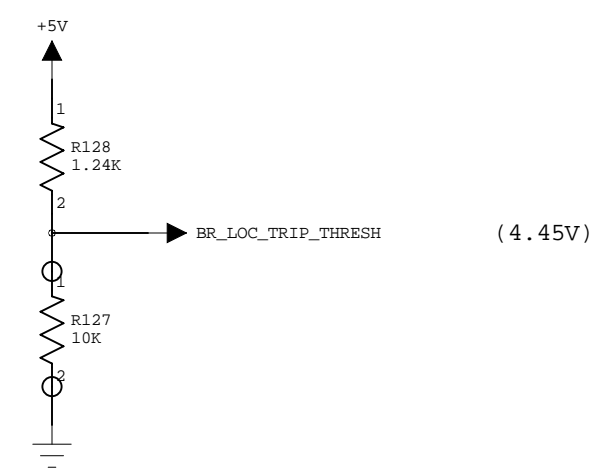
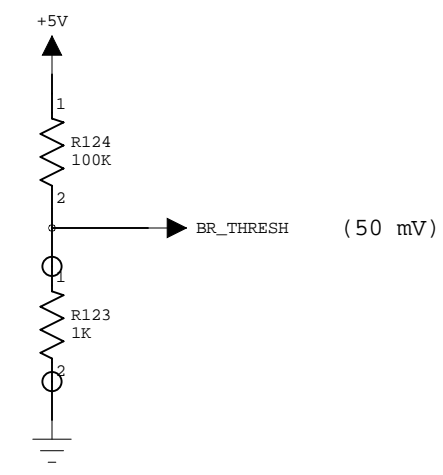
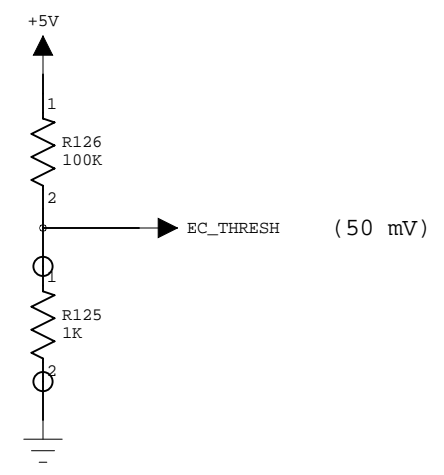
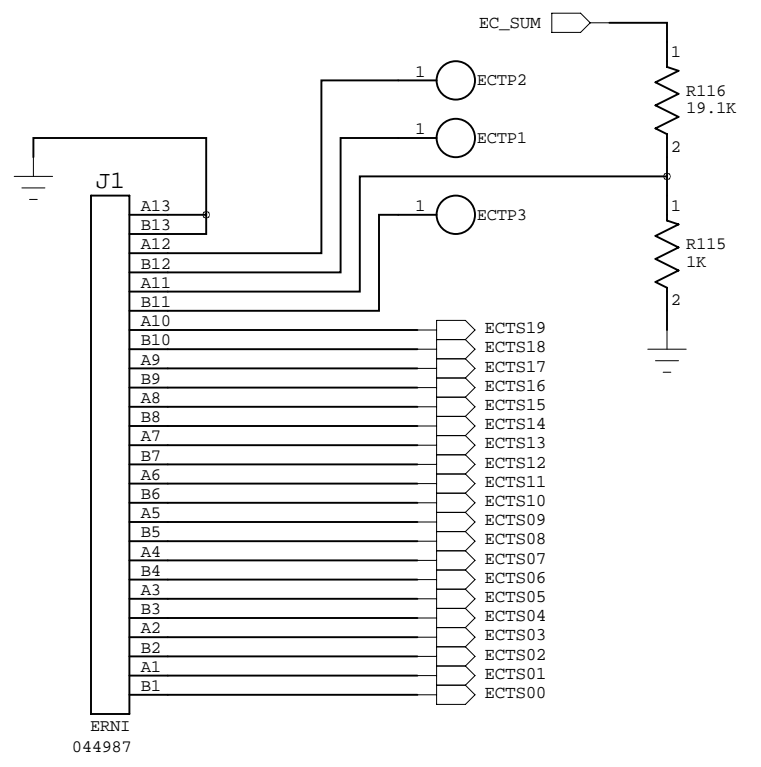
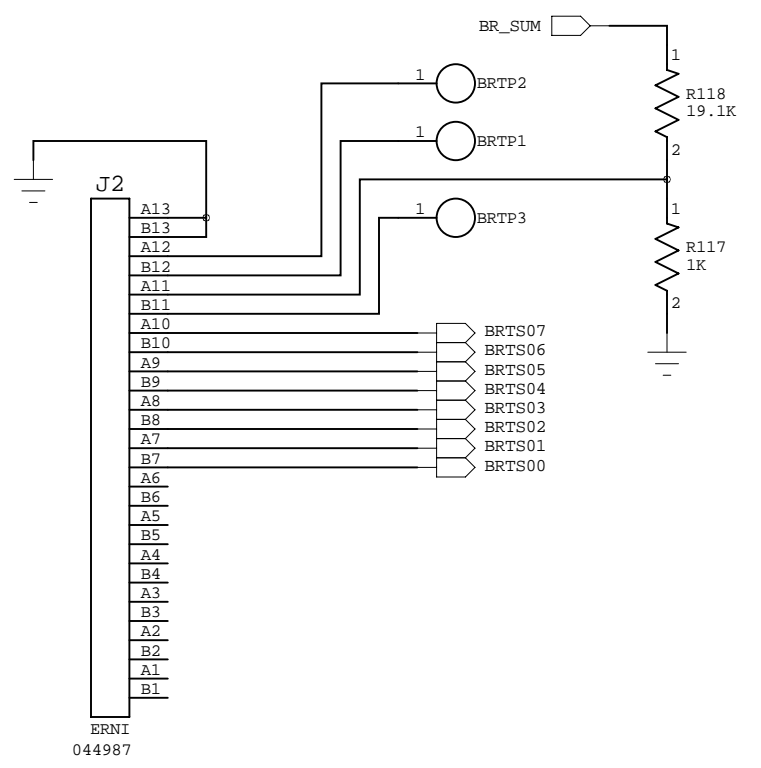
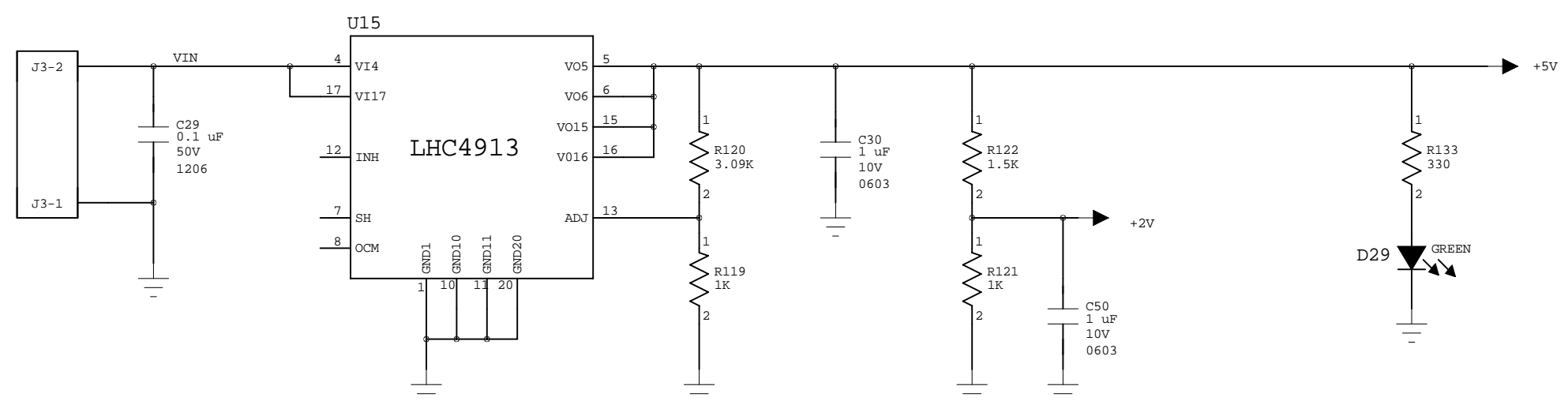
4

3

2

1

REVISION RECORD			
LTR	ECO NO:	APPROVED:	DATE:



COMPANY: Indiana University Physics

TITLE: ATLAS TRT Alarm Compare Board

DRAWN: Paul Smith	DATED: Jan 2007
CHECKED: <Checked By>	DATED: <Checked Date>
QUALITY CONTROL: <QC By>	DATED: <QC Date>
RELEASED: <Released By>	DATED: <Release Date>

CODE:	SIZE:	DRAWING NO:	REV:
<Code>	C	<Drawing Number>	<Revision>
SCALE: <Scale>		SHEET: 1 OF 3	

6

5

4

3

2

1

REVISION RECORD			
LTR	ECO NO:	APPROVED:	DATE:

D

D

C

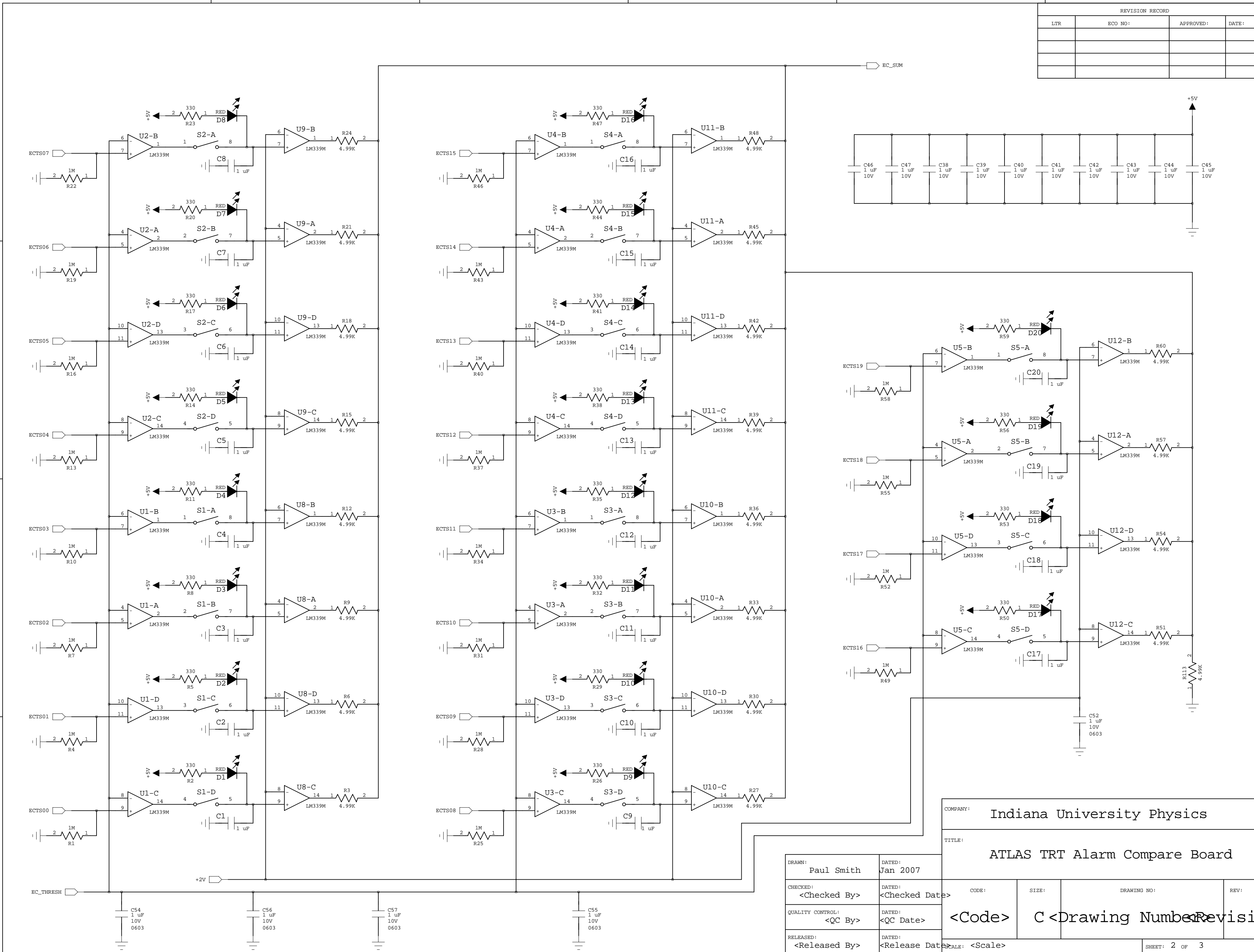
C

B

B

A

A



COMPANY: Indiana University Physics

TITLE: ATLAS TRT Alarm Compare Board

DRAWN: Paul Smith	DATED: Jan 2007
CHECKED: <Checked By>	DATED: <Checked Date>
QUALITY CONTROL: <QC By>	DATED: <QC Date>
RELEASED: <Released By>	DATED: <Release Date>

CODE:	SIZE:	DRAWING NO:	REV:
<Code>	C	<Drawing Number>	<Revision>
SCALE: <Scale>	SHEET: 2 OF 3		

6

5

4

3

2

1

REVISION RECORD			
LTR	ECO NO:	APPROVED:	DATE:

D

D

C

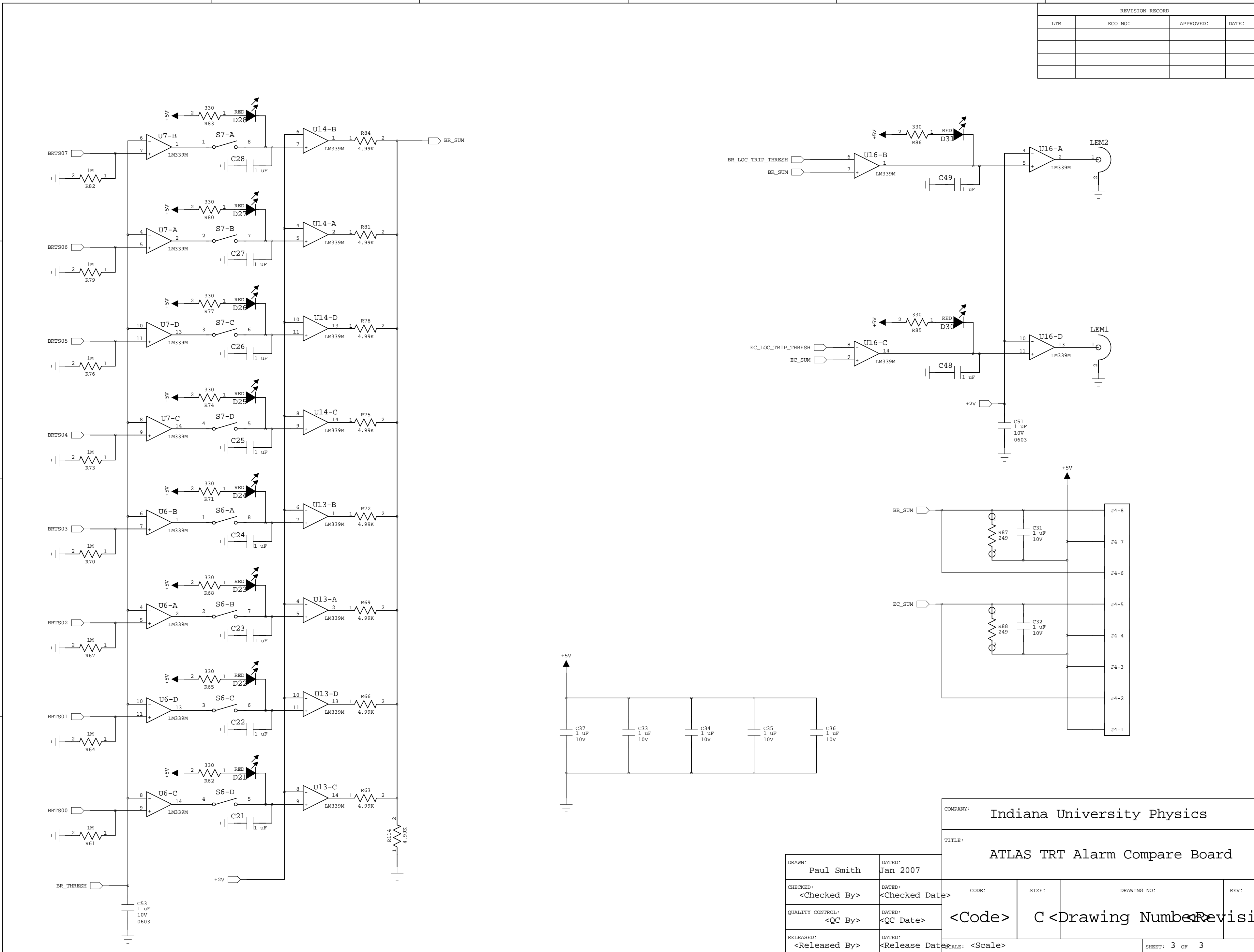
C

B

B

A

A



DRAWN: Paul Smith	DATED: Jan 2007
CHECKED: <Checked By>	DATED: <Checked Date>
QUALITY CONTROL: <QC By>	DATED: <QC Date>
RELEASED: <Released By>	DATED: <Release Date>

COMPANY: Indiana University Physics			
TITLE: ATLAS TRT Alarm Compare Board			
CODE: <Code>	SIZE: C	DRAWING NO: <Drawing Number>	REV: <Revision>
SCALE: <Scale>			SHEET: 3 OF 3