

6

5

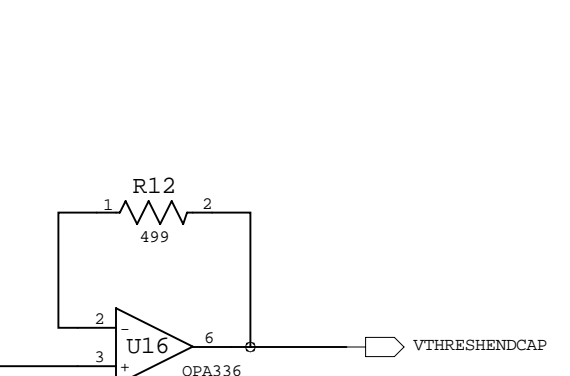
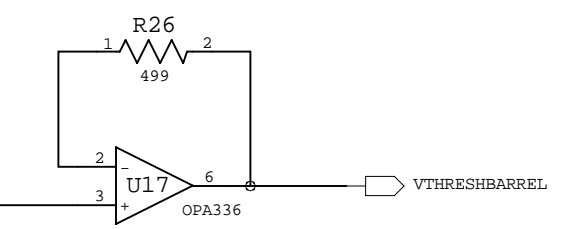
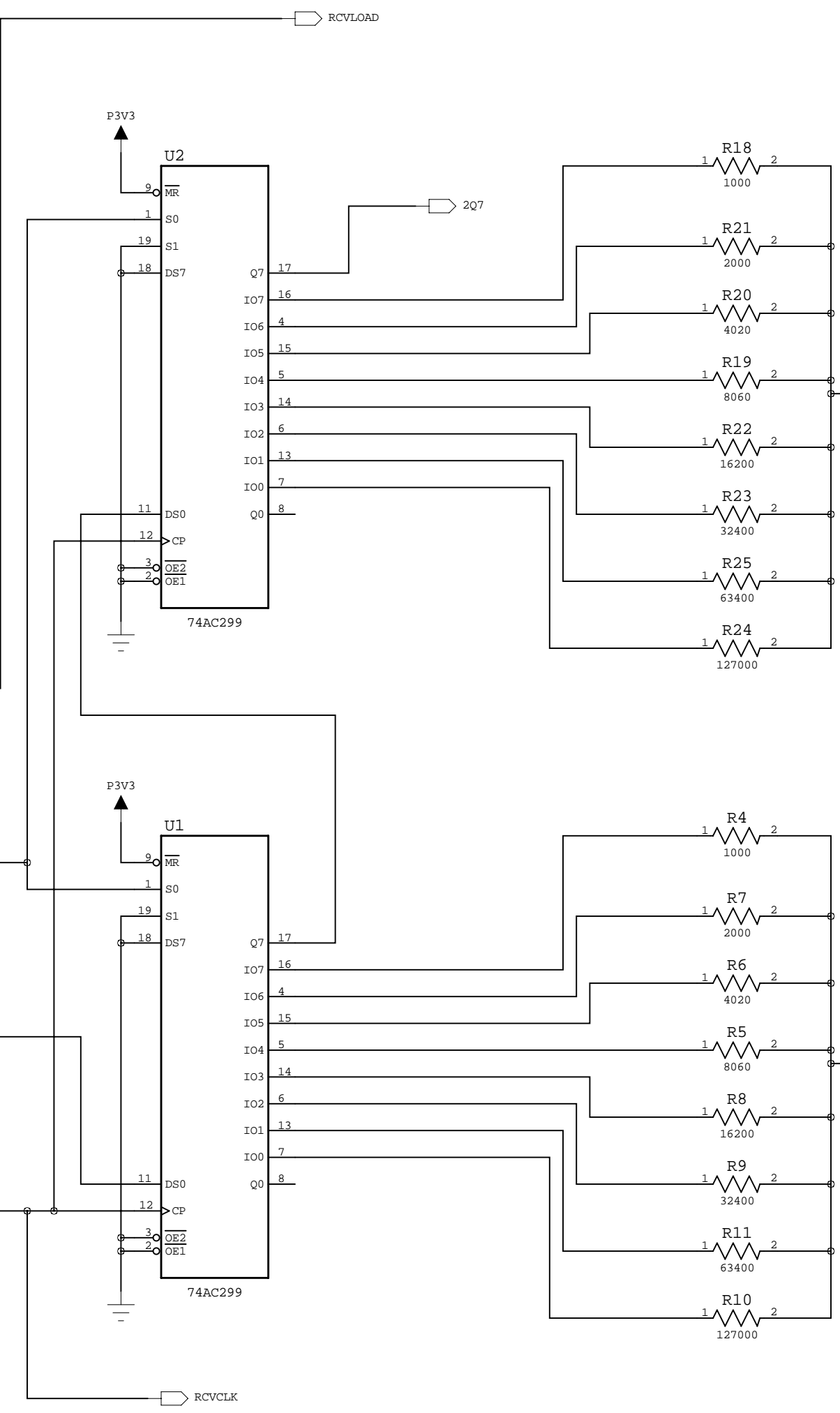
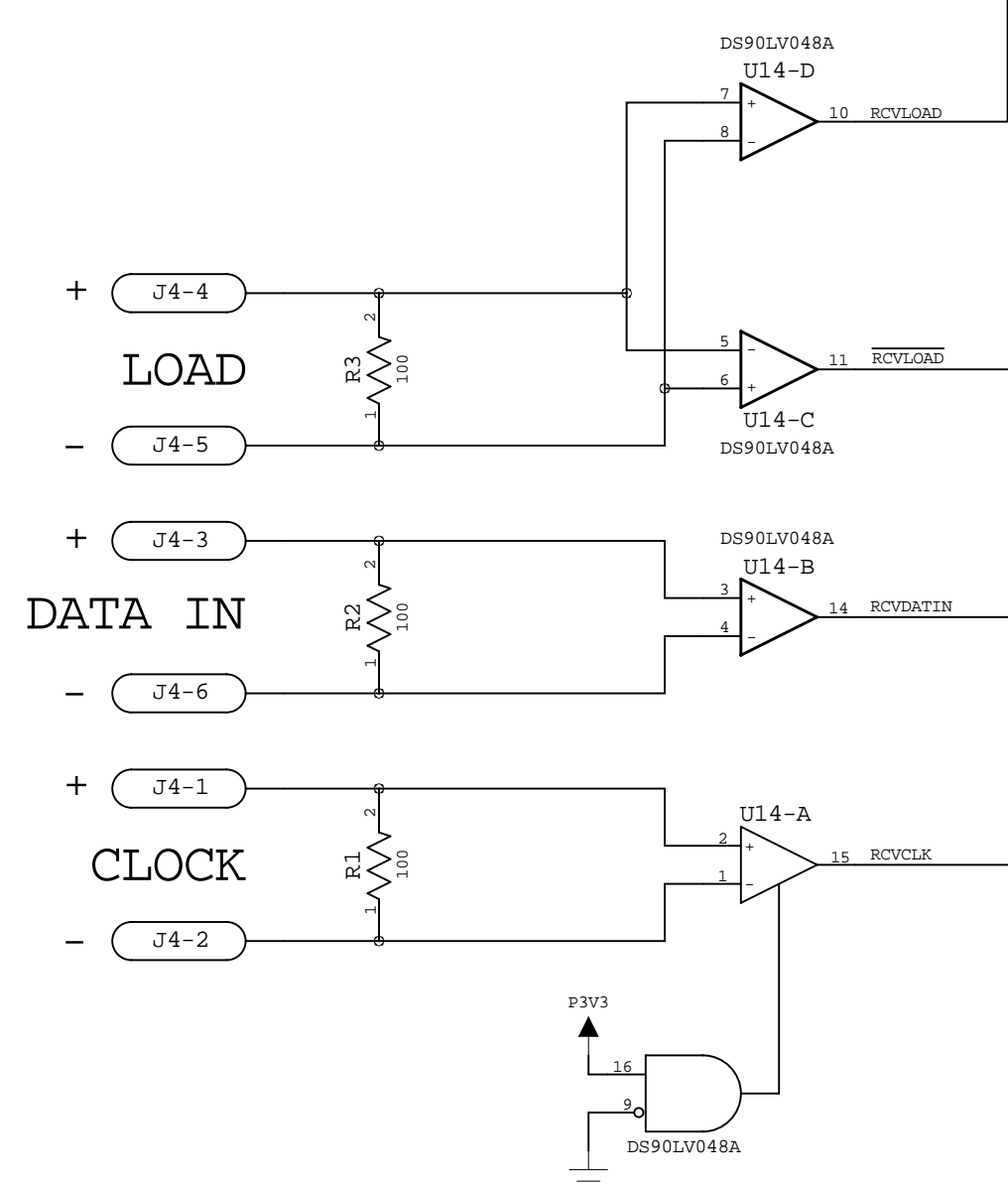
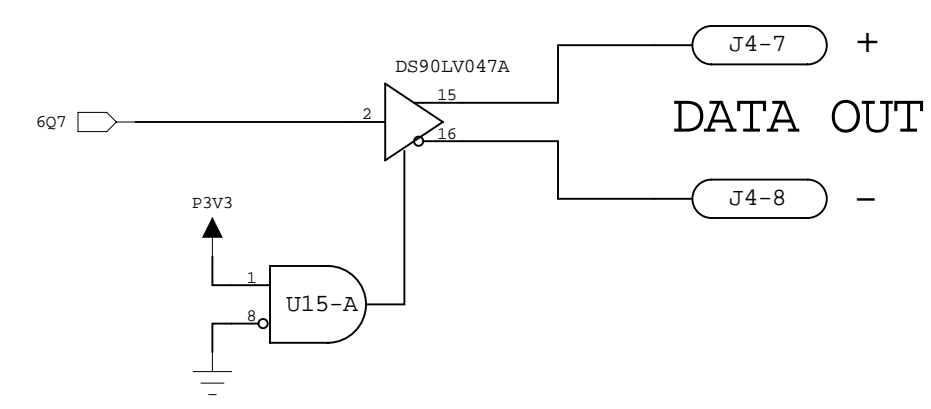
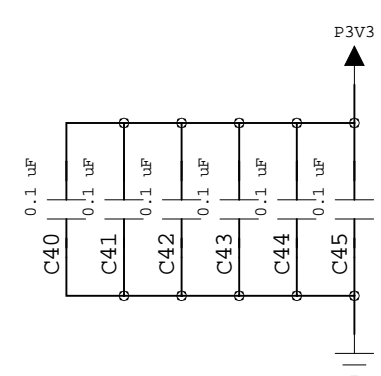
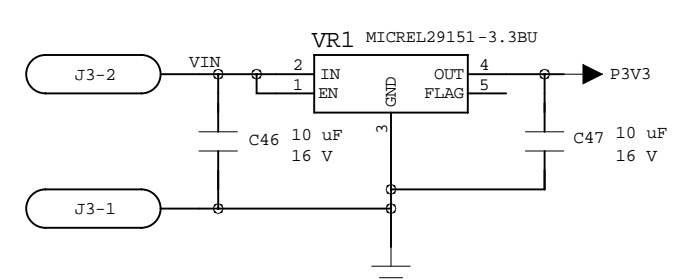
4

3

2

1

REVISION RECORD			
LTR	ECO NO:	APPROVED:	DATE:



COMPANY: Indiana University Physics

TITLE: ATLAS TRT Alarm Comparator Board

DRAWN: Paul Smith	DATED: <Drawn Date>
CHECKED: <Checked By>	DATED: <Checked Date>
QUALITY CONTROL: <QC By>	DATED: <QC Date>
RELEASED: <Released By>	DATED: <Release Date>

CODE:	SIZE:	DRAWING NO:	REV:
<Code>	C	<Drawing Number>	<Revision>
SCALE: <Scale>		SHEET: 1 OF 2	

D

C

B

A

D

C

B

A

